

**FLOOR PLAN**

SCALE: NTS

ARCH REF: 1/IA00.17

QUANTITY: TYPE A - 08  
 TYPE B - 02  
 TYPE C - 21

**17**

**17th FLOOR**

GLASS ONLY ON INTERIOR WINDOWS  
 SMARTSCREEN PRIVACY GLASS FOR TRAINING ROOM  
 FRAMELESS GLASS SWING DOORS



**FLOOR PLAN**

SCALE: NTS

ARCH REF: 1/IA00.18

QUANTITY: TYPE B - 2  
 TYPE C - 39

**18**

**18th FLOOR**

GLASS ONLY ON INTERIOR WINDOWS  
 FRAMELESS GLASS SWING DOORS

NO.	DATE	DESCRIPTION
3	11/07/22	CONVERT SPACE TO MEETING ROOMS (18th, 19th, & 20th Floors)
2	11/05/22	SMART GLASS REVISION PER DOOR PRO SYSTEMS SUBMITTAL
1	10/03/22	First Submittal

**BINSWANGER GLASS**

4019 BRETT ST, CORPUS CHRISTI, TX 78411  
 WORK (361) 792-2366 FAX (361) 852-6296

PROJECT: EOG RESOURCES  
 RENOVATION OF FLOOR NUMBERS 17, 18, 19, & 20  
 ARCHITECT: PDR (713) 798-9650  
 GENERAL CONTRACTOR: W.S. BELLOWS CONSTRUCTION COMPANY (713) 688-2132

PROJECT NO.	BG-2209-02
DRAWN BY	fp
DATE	11/07/22
SCALE	NTS
DRAWING	FLOOR PLANS
SHEET	P1



**FLOOR PLAN**

SCALE: NTS

ARCH REF: 1/1A00.19

QUANTITY: TYPE B - 2  
TYPE C - 39

**19**

**19th FLOOR**

GLASS ONLY ON INTERIOR WINDOWS  
FRAMELESS GLASS SWING DOORS



**FLOOR PLAN**

SCALE: NTS

ARCH REF: 1/1A00.17

QUANTITY: TYPE B - 2  
TYPE C - 42

**20**

**20th FLOOR LEVEL**

GLASS ONLY ON INTERIOR WINDOWS  
FRAMELESS GLASS SWING DOORS

NO.	DATE	DESCRIPTION
3	11/07/22	fp CONVERT SPACE TO MEETING ROOMS (18th, 19th, & 20th Floors)
2	11/05/22	fp SMART GLASS REVISION PER DOOR PRO SYSTEMS SUBMITTAL
1	10/03/22	fp First Submittal

**BINSWANGER GLASS**

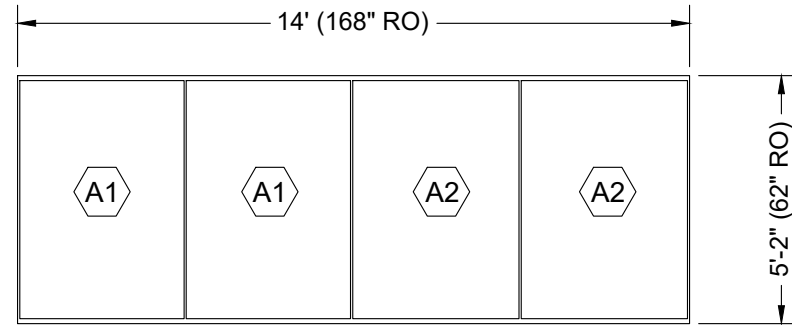
4019 BRETT ST, CORPUS CHRISTI, TX 78411

WORK (361) 792-2366 FAX (361) 852-6296

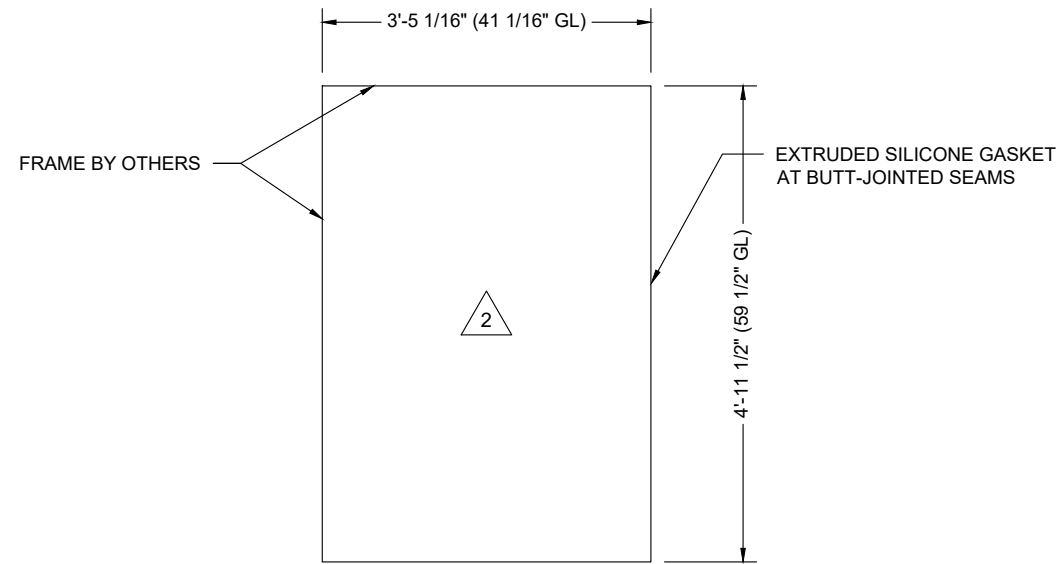
PROJECT  
EOG RESOURCES  
RENOVATION OF FLOOR NUMBERS 17, 18, 19, & 20  
ARCHITECT  
PDR  
(713) 796-9650

GENERAL CONTRACTOR  
W.S. BELLOWS CONSTRUCTION COMPANY  
(713) 689-2132

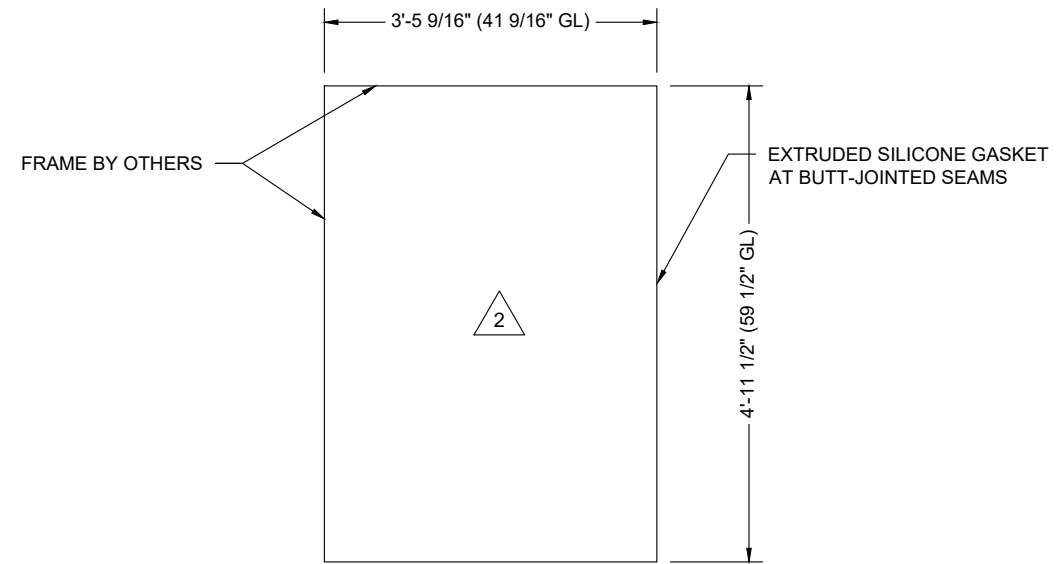
PROJECT NO.	BG-2209-02
DRAWN BY	fp
DATE	11/07/22
SCALE	NTS
DRAWING	FLOOR PLANS
SHEET	P2



**ELEVATION** 1 **17th FLOOR CONFERENCE**  
**SMART GLASS**  
 SCALE: 1/4" = 1'-0"  
 ARCH REF: 1/A00.17  
 700/DOOR PRO SYSTEMS SUBMITTAL



FF



FF

**ELEVATION** A1 **SMART GLASS**  
 QUANTITY: 02  
 SCALE: 1/2" = 1'-0"  
 ARCH REF: 1/A00.17  
 10/A10.02  
 SMART GLASS ONLY (FRAME BY OTHERS)

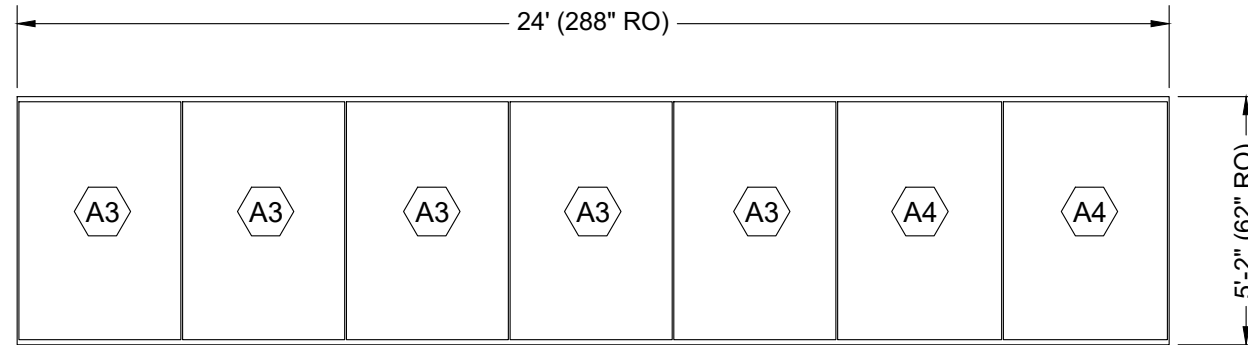
**ELEVATION** A2 **SMART GLASS**  
 QUANTITY: 02  
 SCALE: 1/2" = 1'-0"  
 ARCH REF: 1/A00.17  
 10/A10.02  
 SMART GLASS ONLY (FRAME BY OTHERS)

NO.	DATE	DESCRIPTION
3	11/07/22	CONVERT SPACE TO MEETING ROOMS (18th, 19th, & 20th Floors)
2	11/05/22	SMART GLASS REVISION PER DOOR PRO SYSTEMS SUBMITTAL
1	10/03/22	First Submittal

**BINSWANGER GLASS**  
 4019 BRETT ST, CORPUS CHRISTI, TX 78411  
 WORK (361) 792-2366 FAX (361) 852-6296

PROJECT: EOG RESOURCES  
 RENOVATION OF FLOOR NUMBERS 17, 18, 19, & 20  
 ARCHITECT: PDR (713) 798-9650  
 GENERAL CONTRACTOR: W.S. BELLOWS CONSTRUCTION COMPANY (713) 688-2132

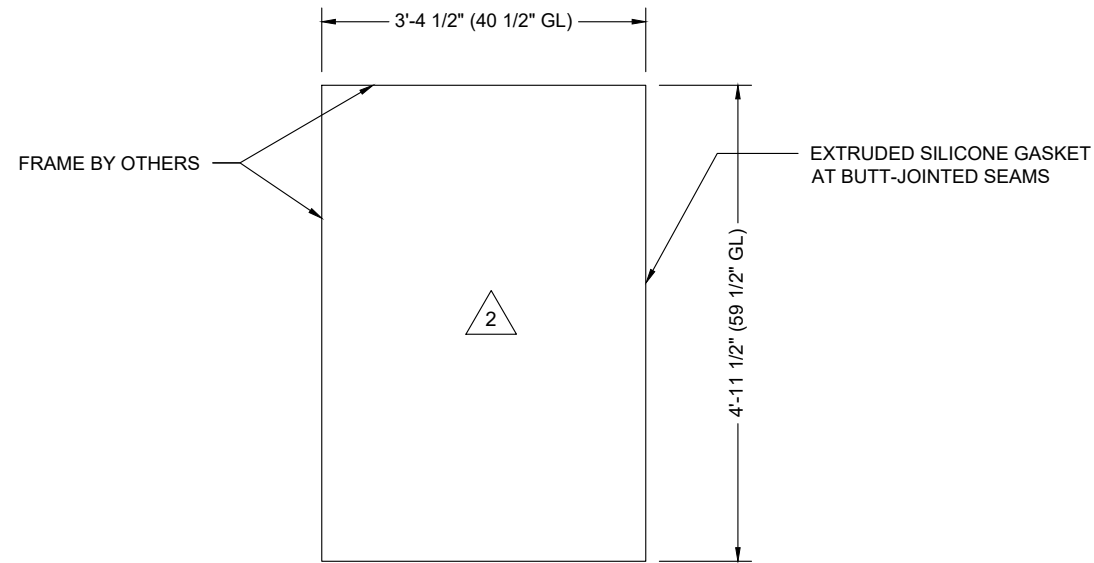
PROJECT NO.	BG-2209-02
DRAWN BY	fp
DATE	11/07/22
SCALE	SEE DRAWING
DRAWING	ELEVATIONS
SHEET	E1



**ELEVATION** 1 **17th FLOOR CONFERENCE**

SCALE: 1/4" = 1'-0"  
ARCH REF: 1/A00.17  
701/DOOR PRO SYSTEMS SUBMITTAL

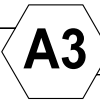
**SMART GLASS**



FF

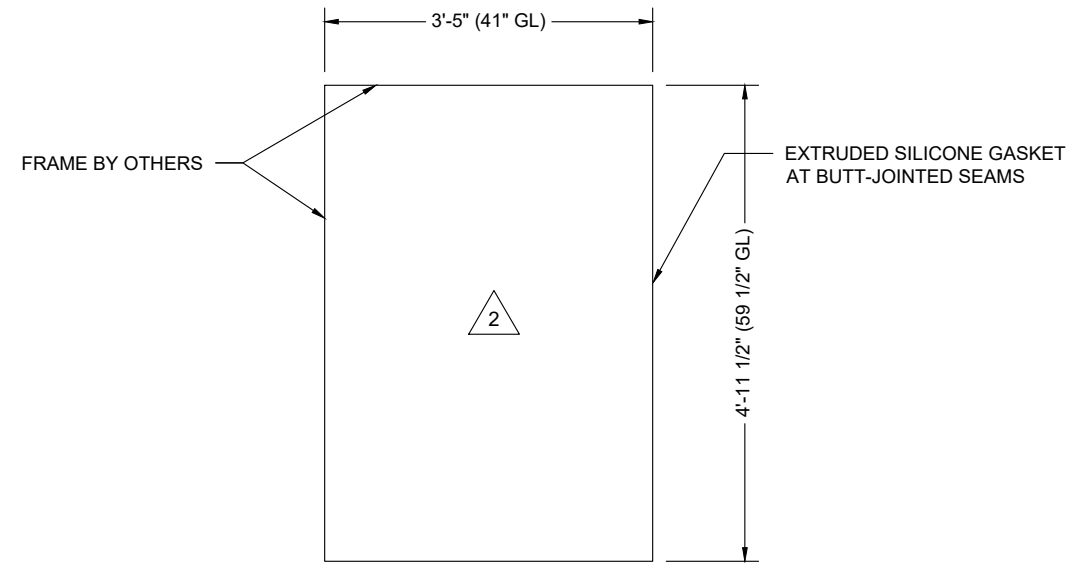
**ELEVATION**

QUANTITY: 05  
SCALE: 1/2" = 1'-0"  
ARCH REF: 1/A00.17  
10/A10.02



**SMART GLASS**

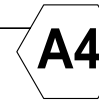
SMART GLASS ONLY (FRAME BY OTHERS)



FF

**ELEVATION**

QUANTITY: 02  
SCALE: 1/2" = 1'-0"  
ARCH REF: 1/A00.17  
10/A10.02



**SMART GLASS**

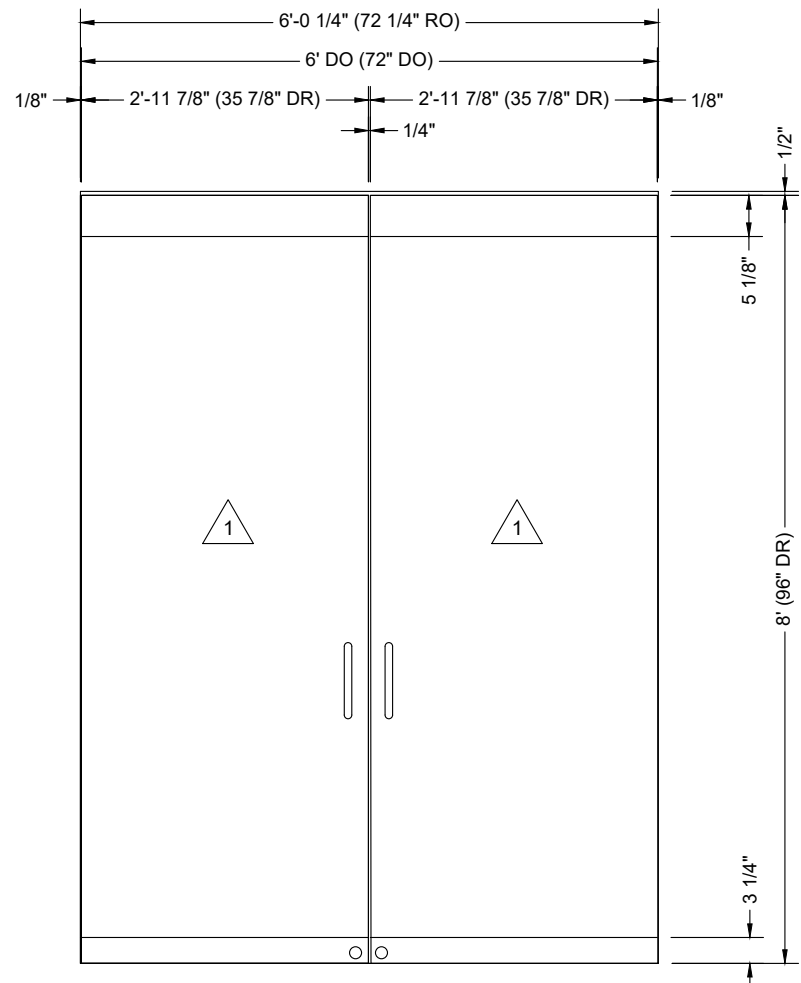
SMART GLASS ONLY (FRAME BY OTHERS)

NO.	DATE	DESCRIPTION
3	11/07/22	CONVERT SPACE TO MEETING ROOMS (18th, 19th, & 20th Floors)
2	11/05/22	SMART GLASS REVISION PER DOOR PRO SYSTEMS SUBMITTAL
1	10/03/22	First Submittal

**BINSWANGER GLASS**  
4019 BRETT ST, CORPUS CHRISTI, TX 78411  
WORK (361) 792-2366 FAX (361) 852-6296

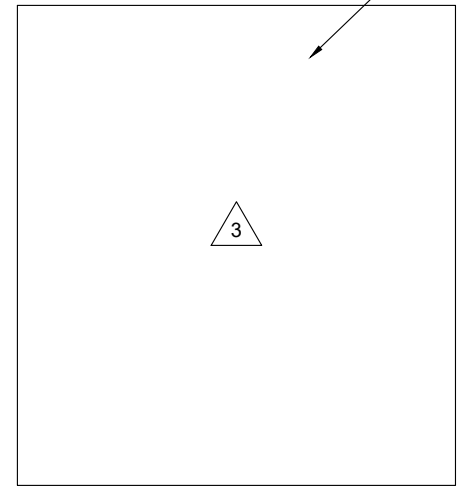
PROJECT: EOG RESOURCES  
RENOVATION OF FLOOR NUMBERS 17, 18, 19, & 20  
ARCHITECT: PDR (713) 798-9650  
GENERAL CONTRACTOR: W.S. BELLOWS CONSTRUCTION COMPANY (713) 688-2132

PROJECT NO.	BG-2209-02
DRAWN BY	fp
DATE	11/07/22
SCALE	SEE DRAWING
DRAWING	ELEVATIONS
SHEET	E2



- HARDWARE**
- 16- BACK TO BACH HANDLE, 1" DIA X 12", CM12X12BS, BRUSHED STAINLESS
  - 8- HEADER, 4" X 72" FOR DOUBLE DOOR, DCH4BSD, BRUSHED STAINLESS
  - 16- TAPERED DOOR RAIL, W/O LOCK, DR4TBS12S, CUT TO 35 3/4" LP, BRUSHED STAINLESS
  - 16- SHORT END LOAD ARM, CRL8010AS
  - 16- BOTTOM PIVOT SET, ADJUSTABLE, DUAL PURPOSE, CRL8010DP
  - 16- JACKSON ADJUSTABLE CLOSER, 105 DEGREES, 20104M18
  - 16- CLOSER CLIPS, CRL8010FK
  - 16- TAPERED DOOR RAIL W/LOCK, DR4TBS12SL, CUT TO 35 3/4" CL P1 & P2 BOTTOM, BRUSHED STAINLESS
  - 16- THUMBTURN, DRA1020BS, BRUSHED STAINLESS
  - 16- LOCKING DUST KEEPER, AMR209, BRUSHED NICKEL

EACH WINDOW IS SPECIFICE AND GLASS SIZES VARY (FIELD VERIFY DIMENSIONS) FRAME BY OTHERS



**ELEVATION**

QUANTITY: 08  
SCALE: 1/2" = 1'-0"  
ARCH REF: 1A00.17  
1A00.18  
1A00.19 1A00.20 E20/IA09.01  
LEVEL 20/IA09.31

**B TEMPERED GLASS DOORS**

GLASS DOORS & HARDWARE ONLY  
FRAMELESS GLASS SWING DOORS  
LEVEL 17/IA09.30 LEVEL 18/IA09.30 LEVEL 19/IA09.31

**ELEVATION**

QUANTITY: 132  
SCALE: 1/2" = 1'-0"  
ARCH REF: 1/IA00.17  
1/IA00.18  
1/IA00.20  
1/IA00.21  
GL/IA01.10

**C SAFETY GLASS**

SAFETY GLASS ONLY (FRAME BY OTHERS)

NO.	DATE	DESCRIPTION
3	11/07/22	fp
2	11/05/22	fp
1	10/03/22	fp

**BINSWANGER GLASS**  
4019 BRETT ST, CORPUS CHRISTI, TX 78411  
WORK (361) 792-2366 FAX (361) 852-6296

PROJECT: EOG RESOURCES  
RENOVATION OF FLOOR NUMBERS 17, 18, 19, & 20  
ARCHITECT: PDR (713) 798-9650  
GENERAL CONTRACTOR: W.S. BELLOWS CONSTRUCTION COMPANY (713) 688-2132

PROJECT NO.	BG-2209-02
DRAWN BY	fp
DATE	11/07/22
SCALE	1/2" = 1'-0"
DRAWING	ELEVATIONS
SHEET	E3